



SHP-P72



SHP-P52

# SHP-R80

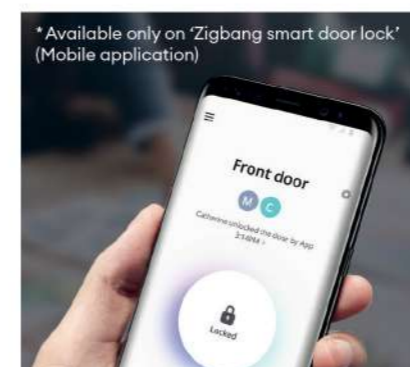
## Rigid Handle

- Access log
- One-time-use PIN code
- Real-time access notification
- Smart bell
- Lock status alert
- Intrusion alarm
- Voice guidance
- Fingerprint access
- Randomizer
- Volume setting
- Welcome function
- 2 Step authentication
- Away mode
- Lockout mode
- Low battery notification
- High temperature alarm
- Auto locking
- Intuitive LED touch pad
- LED status icons
- Privacy mode
- Emergency key
- Emergency power supply



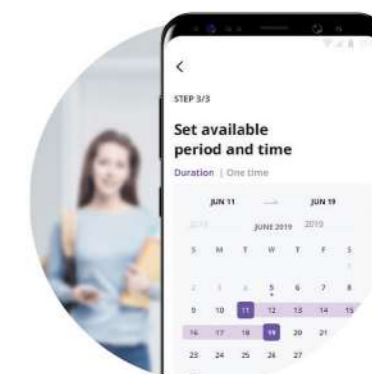
### Specification

Accessibilities	Fingerprint, Mobile application NFC mobile key, PIN code, Emergency key
PIN Code	4-12 digit number combination
Door thickness	40-60mm
Power	AA Alkaline battery X 8 (DC 6V)
Battery life	Approximately 10 months (10 times per day on average)
Size (WxHxD)	Exterior unit : 88(W) x 400(H) x 57.5(D)mm Interior unit : 88(W) x 400(H) x 61.5(D)mm
Color	Black, Platium gold



### Smart Open (Wi-Fi)

Whether you are out of home, you can remotely unlock the door lock with mobile application.



### Scheduled PIN Code

Regular visitor can enter your home with a scheduled PIN code at the certain period of time.



### Smart Bell

When your visitor rings the bell by touching the smart bell icon on the door lock, you will receive a push message in real-time.



### Lock Status Alert

You're always notified with push message when the battery is low, intrusion alarm occurs, etc.



### NFC Mobile Key

Your smartphone is the door key. Simply and securely unlock the door with your smartphone.

\* This specific feature is available on android phone only. Make sure NFC is enable.



### Soft Touch Open

Innovative touch sensor when you grab the lever allows you to open the door.

# Smart Lock Accessory

## Wi-Fi Module

SHP-DADT401



\* Required for its mobile application services of Zigbang smart lock (SHP-DP609).

## Key Tag

Type 1  
SHS-AKT200K

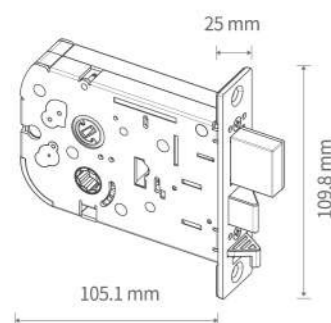


Type 2  
SHS-AKT300K

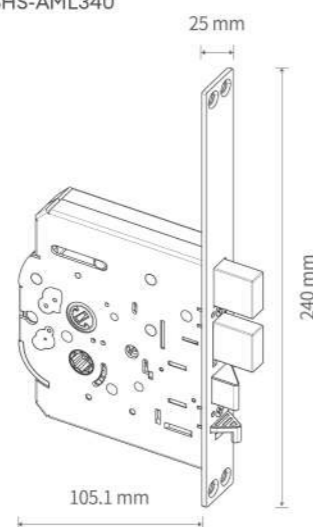


## Mortise

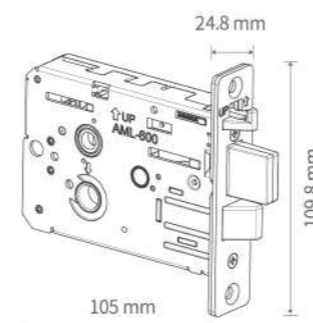
Type 1  
SHS-AML240



Type 2  
SHS-AML340



Type 3  
SHS-AML600



Mortise	SHS-AML240	SHS-AML340	SHS-AML600
Face panel size	25 x 109.8 (mm)	25 x 240 (mm)	24.8 x 109.8 (mm)
Number of deadbolts	1 pcs	2 pcs	1 pcs

## Installation Kit

Model code	Door thickness	Remark
SHS-ASM360/EN	Adjustable 60-80 (mm)	SHP-DR708
SHS-ASM340/EN	Adjustable 40-60 (mm)	
SHS-ASM140/EN	Adjustable 40-60 (mm)	Lever type
SHS-ASM260/EN	Adjustable 60-80 (mm)	Push-Pull type
SHS-ASM240/EN	Adjustable 40-60 (mm)	

\*This Installation kit may contain the mount support(s), the shaft(s), the key tale(s), the screw(s), etc. The contents may vary and be subject to change without notice.

# Smart Lock Line Up



## Rigid Handle

SHP-P52

SHP-R80

Lock status alert	<input type="radio"/>	<input type="radio"/>
One-time-use PIN code	<input type="radio"/>	<input type="radio"/>
Scheduled PIN code	<input type="radio"/>	<input type="radio"/>
Smart bell	-	<input type="radio"/>
Smart open	<input type="radio"/>	<input type="radio"/>
Real-time access notification	<input type="radio"/>	<input type="radio"/>
Access log	<input type="radio"/>	<input type="radio"/>
PIN code	20 (Up to)	100 (Max.)
RF key tag		100 (Max.)
Fingerprint access	100 (Max.)	100 (Max.)
Randomizer	<input type="radio"/>	<input type="radio"/>
Mechanical override keys	<input type="radio"/>	<input type="radio"/>
Lockset	Mortise lock	Mortise lock
Applicable door thickness	40-60mm	40-60mm
Humidity	20-80%	20-80%
Temperature	-20°C- +55°C	-20°C- +55°C
Color	Gold	Black, Platinum gold
Power	DC 6V AA Alkaline battery (8)	DC 6V AA Alkaline battery (8)
Battery life	About 10 months (10 Times per day)	About 10 months (10 Times per day)
Product size (WxHxD)	Exterior unit	83 x 395x 64 (mm)
	Interior unit	83 x 395x 64 (mm)
		88 x 400 x 61.5 (mm)

\* All of the Zigbang smart locks above are interoperated with the Zigbang video intercom (system), and Zigbang home network system.

\* The battery life could be different according to installation, battery, and frequency of usage.

\* Mobile app service is may not be offered in some countries. \*Smart locks colors may look different depending on the circumstance.

# Smart Lock Line Up



Push Pull		SHP-DP609	SHP-P72
Lock status alert		<input type="radio"/>	<input type="radio"/>
One-time-use PIN code		<input type="radio"/>	<input type="radio"/>
Scheduled PIN code		<input type="radio"/>	<input type="radio"/>
Smart bell		<input type="radio"/>	<input type="radio"/>
Smart open		<input type="radio"/>	<input type="radio"/>
Real-time access notification		<input type="radio"/>	<input type="radio"/>
Access log		<input type="radio"/>	<input type="radio"/>
PIN code		100 (Max.)	100 (Max.)
RF key tag		100 (Max.)	100 (Max.)
Fingerprint access		100 (Max.)	100 (Max.)
Randomizer		<input type="radio"/>	<input type="radio"/>
Mechanical override keys		<input type="radio"/>	<input type="radio"/>
Lockset		Mortise lock	Mortise lock
Applicable door thickness		40-80mm	40-60mm
Humidity		20-80%	20-80%
Temperature		-20°C- +55°C	-20°C- +55°C
Color		Copper, Dark brown	Copper, Dark brown
Power		Silver	Gold
Battery life		About 10 months (10 Times per day)	About 10 months (10 Times per day)
Product size (WxHxD)	Exterior unit	88 x 392 x 63.8 (mm)	88 x 392 x 63.8 (mm)
	Interior unit	88 x 392 x 63.5 (mm)	88 x 392 x 63.5 (mm)



Lever		SHP-DH537	SHP-DH538
Lock status alert		-	-
One-time-use PIN code		-	-
Scheduled PIN code		-	-
Smart bell		-	-
Smart open		-	-
Real-time access notification		-	-
Access log		-	-
PIN code		100 (Max.)	100 (Max.)
RF key tag		100 (Max.)	-
Fingerprint access		-	100 (Max.)
Randomizer		<input type="radio"/>	<input type="radio"/>
Mechanical override keys		<input type="radio"/>	<input type="radio"/>
Lockset		Mortise lock	Mortise lock
Applicable door thickness		40-60mm	40-80mm
Humidity		20-80%	20-80%
Temperature		-20°C- +55°C	-20°C- +55°C
Color		Copper, Dark brown	Copper, Dark brown
Power		DC 6V AA Alkaline battery (4)	DC 6V AA Alkaline battery (4)
Battery life		About 12 months (10 Times per day)	About 12 months (10 Times per day)
Product size (WxHxD)	Exterior unit	81.9 x 320 x 66.8 (mm)	81.9 x 320 x 66.8 (mm)
	Interior unit	79 x 290 x 80.3 (mm)	79 x 290 x 80.3 (mm)

\* All of the Zigbang smart locks above are interoperated with the Zigbang video intercom (system), and Zigbang home network system.

\* The battery life could be different according to installation, battery, and frequency of usage.

\* Mobile app service is may not be offered in some countries. \*Smart locks colors may look different depending on the circumstance.

# Smart Lock Line Up



Lever	SHP-H60R	SHS-H60F
Lock status alert	<input type="radio"/>	<input type="radio"/>
One-time-use PIN code	<input type="radio"/>	<input type="radio"/>
Scheduled PIN code	<input type="radio"/>	<input type="radio"/>
Smart bell	<input type="radio"/>	<input type="radio"/>
Smart open	<input type="radio"/>	<input type="radio"/>
Real-time access notification	<input type="radio"/>	<input type="radio"/>
Access log	<input type="radio"/>	<input type="radio"/>
PIN code	100 (Max.)	100 (Max.)
RF key tag	100 (Max.)	-
Fingerprint access	-	100 (Max.)
Randomizer	<input type="radio"/>	<input type="radio"/>
Mechanical override keys	<input type="radio"/>	<input type="radio"/>
Lockset	Mortise lock	Mortise lock
Applicable door thickness	40-60mm	40-80mm
Humidity	20-80%	20-80%
Temperature	-20°C- +55°C	-20°C- +55°C
Color	Silver	Silver
Power	DC 6V AA Alkaline battery (4)	DC 6V AA Alkaline battery (8)
Battery life	About 12 months (10 Times per day)	About 12 months (10 Times per day)
Product size (WxHxD)	Exterior unit	81.9 x 320 x 66.8 (mm)
	Interior unit	79 x 290 x 80.3 (mm)



Deadbolt	SHP-A21	SHP-A30	SHS-1321
Lock status alert	-	<input type="radio"/>	-
One-time-use PIN code	-	<input type="radio"/>	-
Scheduled PIN code	-	<input type="radio"/>	-
Smart bell	-	-	-
Smart open	-	<input type="radio"/>	-
Real-time access notification	-	<input type="radio"/>	-
Access log	-	<input type="radio"/>	-
PIN code	20 (Max.)	50 (Max.)	1
RF key tag	100 (Max.)	-	20 (Max.)
Fingerprint access	100 (Max.)	50 (Max.)	-
Randomizer	<input type="radio"/>	<input type="radio"/>	<input type="radio"/>
Mechanical override keys	<input type="radio"/>	-	-
Lockset	Rim lock	Deadbolt	Rim lock
Applicable door thickness	30-40mm	35-55mm	40-60mm
Humidity	20-80%	20-80%	20-80%
Temperature	-25°C to 60°C	-25°C to 60°C	-20°C - +55°C
Color	Black	Satin nickel	Black
Power	DC 6V AA Alkaline battery (4)	DC 6V AA Alkaline battery (4)	DC 6V AA Alkaline battery (4)
Battery life	About 10 months (10 Times per day)	About 10 months (10 Times per day)	About 10 months (10 Times per day)
Product size (WxHxD)	Exterior unit	74 x 176 x 38 (mm)	69 x 175 x 22 (mm)
	Interior unit	74 x 176 x 20 (mm)	181 x 92 x 48 (mm)

\* All of the Zigbang smart locks above are interoperated with the Zigbang video intercom (system), and Zigbang home network system.

\* The battery life could be different according to installation, battery, and frequency of usage.

\* Mobile app service is may not be offered in some countries. \*Smart locks colors may look different depending on the circumstance.