



SHP-P72



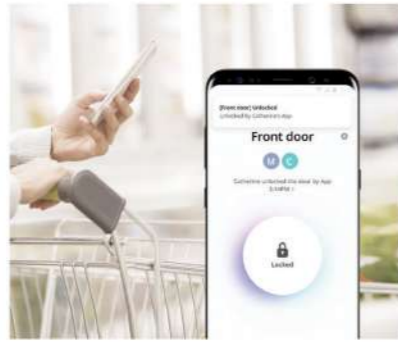
SHP-P52

* Available only on 'Zigbang smart door lock' (Mobile application)



Smart Open (Wi-Fi)

Whether you are out of home, you can remotely unlock the door lock with mobile application.



Real-time Access Notification

Be notified with push message on your smartphone in real-time when your family returns.



Fingerprint Access

Just one touch with your finger to unlock the door with fast and accurate fingerprint sensor.



Intrusion Alarm

Attempted forced entry or tampering to pass the door lock will set off the alarm immediately.



Low Battery Notification

When the batteries are running low, the lock informs you with melody and LED icon.



LED Status Icons

Display the lock status, such as intrusion alarm, low battery notification, privacy mode, etc.

SHP-H60F Lever

- Access log
- Scheduled PIN code
- One-time-use PIN code
- Intrusion alarm
- Volume setting
- 2 Step authentication
- Away mode
- Lockout mode
- Low battery notification
- High temperature alarm
- Auto locking
- LED status icons
- Privacy mode
- Emergency key
- Emergency power supply



Specification

Accessibilities	Fingerprint, PIN code, Emergency key
PIN code	4-12 digit number combination
Door thickness	AML240 : 40-60mm
Power	AA Alkaline battery X 4 (DC 6V)
Battery life	Approximately 12 months (10 times per day on average)
Size (WxHxD)	Exterior unit : 81.9(W) x 320(H) x 66.8(D)mm Interior unit : 79(W) x 290(H) x 80.3(D)mm
Color	Silver



SHP-H60R Lever

- Access log
- Scheduled PIN code
- One-time-use PIN code
- Randomizer
- Volume setting
- 2 Step authentication
- Away mode
- Lockout mode
- High temperature alarm
- Auto locking
- Intuitive LED touch pad
- Privacy mode
- Emergency key
- Emergency power supply



Specification

Accessibilities	PIN code, Key tag, Emergency key
PIN code	4-12 digit number combination
Door thickness	AML240 : 40-60mm / AML340 : 60-80mm
Power	AA Alkaline battery X 4 (DC 6V)
Battery life	Approximately 12 months (10 times per day on average)
Size (WxHxD)	Exterior unit : 81.9(W) x 320(H) x 66.8(D)mm Interior unit : 79(W) x 290(H) x 80.3(D)mm
Color	Silver



Smart Lock Accessory

Wi-Fi Module

SHP-DADT401



* Required for its mobile application services of Zigbang smart lock (SHP-DP609).

Key Tag

Type 1
SHS-AKT200K

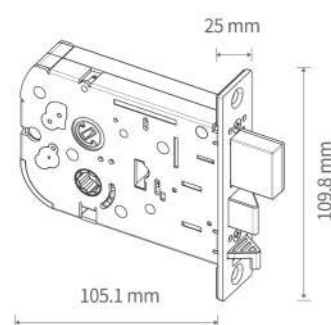


Type 2
SHS-AKT300K

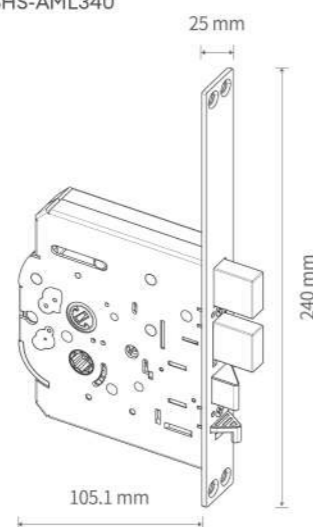


Mortise

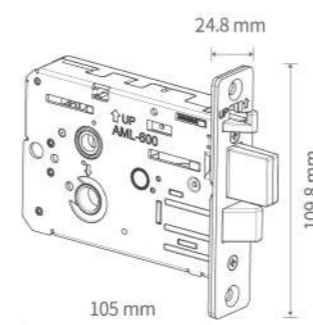
Type 1
SHS-AML240



Type 2
SHS-AML340



Type 3
SHS-AML600



Mortise	SHS-AML240	SHS-AML340	SHS-AML600
Face panel size	25 x 109.8 (mm)	25 x 240 (mm)	24.8 x 109.8 (mm)
Number of deadbolts	1 pcs	2 pcs	1 pcs

Installation Kit

Model code	Door thickness	Remark
SHS-ASM360/EN	Adjustable 60-80 (mm)	SHP-DR708
SHS-ASM340/EN	Adjustable 40-60 (mm)	
SHS-ASM140/EN	Adjustable 40-60 (mm)	Lever type
SHS-ASM260/EN	Adjustable 60-80 (mm)	Push-Pull type
SHS-ASM240/EN	Adjustable 40-60 (mm)	

*This Installation kit may contain the mount support(s), the shaft(s), the key tale(s), the screw(s), etc. The contents may vary and be subject to change without notice.

Smart Lock Line Up



Rigid Handle

	SHP-P52	SHP-R80
Lock status alert	<input type="radio"/>	<input type="radio"/>
One-time-use PIN code	<input type="radio"/>	<input type="radio"/>
Scheduled PIN code	<input type="radio"/>	<input type="radio"/>
Smart bell	-	<input type="radio"/>
Smart open	<input type="radio"/>	<input type="radio"/>
Real-time access notification	<input type="radio"/>	<input type="radio"/>
Access log	<input type="radio"/>	<input type="radio"/>
PIN code	20 (Up to)	100 (Max.)
RF key tag		100 (Max.)
Fingerprint access	100 (Max.)	100 (Max.)
Randomizer	<input type="radio"/>	<input type="radio"/>
Mechanical override keys	<input type="radio"/>	<input type="radio"/>
Lockset	Mortise lock	Mortise lock
Applicable door thickness	40-60mm	40-60mm
Humidity	20-80%	20-80%
Temperature	-20°C- +55°C	-20°C- +55°C
Color	Gold	Black, Platinum gold
Power	DC 6V AA Alkaline battery (8)	DC 6V AA Alkaline battery (8)
Battery life	About 10 months (10 Times per day)	About 10 months (10 Times per day)
Product size (WxHxD)	Exterior unit	83 x 395x 64 (mm)
	Interior unit	83 x 395x 64 (mm)
		88 x 400 x 61.5 (mm)

* All of the Zigbang smart locks above are interoperated with the Zigbang video intercom (system), and Zigbang home network system.

* The battery life could be different according to installation, battery, and frequency of usage.

* Mobile app service is may not be offered in some countries. *Smart locks colors may look different depending on the circumstance.

Smart Lock Line Up



Push Pull		SHP-DP609	SHP-P72
Lock status alert		<input type="radio"/>	<input type="radio"/>
One-time-use PIN code		<input type="radio"/>	<input type="radio"/>
Scheduled PIN code		<input type="radio"/>	<input type="radio"/>
Smart bell		<input type="radio"/>	<input type="radio"/>
Smart open		<input type="radio"/>	<input type="radio"/>
Real-time access notification		<input type="radio"/>	<input type="radio"/>
Access log		<input type="radio"/>	<input type="radio"/>
PIN code		100 (Max.)	100 (Max.)
RF key tag		100 (Max.)	100 (Max.)
Fingerprint access		100 (Max.)	100 (Max.)
Randomizer		<input type="radio"/>	<input type="radio"/>
Mechanical override keys		<input type="radio"/>	<input type="radio"/>
Lockset		Mortise lock	Mortise lock
Applicable door thickness		40-80mm	40-60mm
Humidity		20-80%	20-80%
Temperature		-20°C- +55°C	-20°C- +55°C
Color		Copper, Dark brown	Copper, Dark brown
Power		Silver	Gold
Battery life		About 10 months (10 Times per day)	About 10 months (10 Times per day)
Product size (WxHxD)	Exterior unit	88 x 392 x 63.8 (mm)	88 x 392 x 63.8 (mm)
	Interior unit	88 x 392 x 63.5 (mm)	88 x 392 x 63.5 (mm)



Lever		SHP-DH537	SHP-DH538
Lock status alert		-	-
One-time-use PIN code		-	-
Scheduled PIN code		-	-
Smart bell		-	-
Smart open		-	-
Real-time access notification		-	-
Access log		-	-
PIN code		100 (Max.)	100 (Max.)
RF key tag		100 (Max.)	-
Fingerprint access		-	100 (Max.)
Randomizer		<input type="radio"/>	<input type="radio"/>
Mechanical override keys		<input type="radio"/>	<input type="radio"/>
Lockset		Mortise lock	Mortise lock
Applicable door thickness		40-60mm	40-80mm
Humidity		20-80%	20-80%
Temperature		-20°C- +55°C	-20°C- +55°C
Color		Copper, Dark brown	Copper, Dark brown
Power		DC 6V AA Alkaline battery (4)	DC 6V AA Alkaline battery (4)
Battery life		About 12 months (10 Times per day)	About 12 months (10 Times per day)
Product size (WxHxD)	Exterior unit	81.9 x 320 x 66.8 (mm)	81.9 x 320 x 66.8 (mm)
	Interior unit	79 x 290 x 80.3 (mm)	79 x 290 x 80.3 (mm)

* All of the Zigbang smart locks above are interoperated with the Zigbang video intercom (system), and Zigbang home network system.

* The battery life could be different according to installation, battery, and frequency of usage.

* Mobile app service is may not be offered in some countries. *Smart locks colors may look different depending on the circumstance.

Smart Lock Line Up



Lever	SHP-H60R	SHS-H60F
Lock status alert	<input type="radio"/>	<input type="radio"/>
One-time-use PIN code	<input type="radio"/>	<input type="radio"/>
Scheduled PIN code	<input type="radio"/>	<input type="radio"/>
Smart bell	<input type="radio"/>	<input type="radio"/>
Smart open	<input type="radio"/>	<input type="radio"/>
Real-time access notification	<input type="radio"/>	<input type="radio"/>
Access log	<input type="radio"/>	<input type="radio"/>
PIN code	100 (Max.)	100 (Max.)
RF key tag	100 (Max.)	-
Fingerprint access	-	100 (Max.)
Randomizer	<input type="radio"/>	<input type="radio"/>
Mechanical override keys	<input type="radio"/>	<input type="radio"/>
Lockset	Mortise lock	Mortise lock
Applicable door thickness	40-60mm	40-80mm
Humidity	20-80%	20-80%
Temperature	-20°C- +55°C	-20°C- +55°C
Color	Silver	Silver
Power	DC 6V AA Alkaline battery (4)	DC 6V AA Alkaline battery (8)
Battery life	About 12 months (10 Times per day)	About 12 months (10 Times per day)
Product size (WxHxD)	Exterior unit	81.9 x 320 x 66.8 (mm)
	Interior unit	79 x 290 x 80.3 (mm)



Deadbolt	SHP-A21	SHP-A30	SHS-1321
Lock status alert	-	<input type="radio"/>	-
One-time-use PIN code	-	<input type="radio"/>	-
Scheduled PIN code	-	<input type="radio"/>	-
Smart bell	-	-	-
Smart open	-	<input type="radio"/>	-
Real-time access notification	-	<input type="radio"/>	-
Access log	-	<input type="radio"/>	-
PIN code	20 (Max.)	50 (Max.)	1
RF key tag	100 (Max.)	-	20 (Max.)
Fingerprint access	100 (Max.)	50 (Max.)	-
Randomizer	<input type="radio"/>	<input type="radio"/>	<input type="radio"/>
Mechanical override keys	<input type="radio"/>	-	-
Lockset	Rim lock	Deadbolt	Rim lock
Applicable door thickness	30-40mm	35-55mm	40-60mm
Humidity	20-80%	20-80%	20-80%
Temperature	-25°C to 60°C	-25°C to 60°C	-20°C - +55°C
Color	Black	Satin nickel	Black
Power	DC 6V AA Alkaline battery (4)	DC 6V AA Alkaline battery (4)	DC 6V AA Alkaline battery (4)
Battery life	About 10 months (10 Times per day)	About 10 months (10 Times per day)	About 10 months (10 Times per day)
Product size (WxHxD)	Exterior unit	74 x 176 x 38 (mm)	69 x 175 x 22 (mm)
	Interior unit	74 x 176 x 20 (mm)	181 x 92 x 48 (mm)

* All of the Zigbang smart locks above are interoperated with the Zigbang video intercom (system), and Zigbang home network system.

* The battery life could be different according to installation, battery, and frequency of usage.

* Mobile app service is may not be offered in some countries. *Smart locks colors may look different depending on the circumstance.